

# NX - The All-in-One Controller

## NX Innovation<sup>®</sup> - Next generation control systems

The NX is a low-cost, high performance all-in-one controller with embedded features such as Ethernet, CompactFlash<sup>®</sup> and Web server. It uses Horner APG's industry-recognised Cscape<sup>™</sup> software and the complete selection of SmartStack<sup>®</sup> I/O - that can be snapped on the back of the NX controller or mounted remotely along with SmartStix<sup>™</sup> I/O. An NX can control many different types of machines and processes - from medium to large applications - requiring an operator interface, controller, I/O and networking.



- Various Screen Types  
128x64, 240x128 pixel LCD 240x128 touchscreen
- Local SmartStack<sup>®</sup> I/O system  
Plug in up to 4 modules locally, supporting nearly 300 I/O points
- Plastic Fibre Optic Interface  
To extend the I/O capabilities up to 20 additional SmartStacks<sup>®</sup> supporting over 4000 digital and 1000 analogue I/O points
- Fieldbus options  
CsCAN, DeviceNet, Profibus to integrate with your existing process network
- Ethernet 10/100 BaseT  
For connecting with your enterprise systems via Modbus TCP. Built-in web and ftp servers for easy remote diagnostics
- High Speed I/O  
For counters, relative encoders, stepper drives and PWM applications
- Two Serial Ports  
For connecting to 100+ serial protocols
- USB slave port  
For easy programming and debugging of your applications
- CompactFlash<sup>®</sup>  
For data storage, program loading, recipes, web pages etc..

## For a wide range of Application

Their high level of integration ensures that the NX models offer unprecedented performance in a very compact unit programmed by a single IEC61131-3 software package, Cscape<sup>™</sup>. The NX can function as an ideal gateway between the shop-floor and your enterprise systems due to its on-board fieldbus and Ethernet and the support for two independent serial protocols. The integrated CompactFlash<sup>®</sup> slot allows easy upgrades of your applications while also extending your storage capabilities for recipes' data and process data logging. It can also be used to store your web pages and graphics etc. once the built-in web-server is enabled. This allows you to design independent pages from the user interface in order to provide remote users with an overview of your process without affecting the operator interface.

For complete product details see  
[www.horner-apg.com/NX](http://www.horner-apg.com/NX)

 **HORNER**  
APG  
*25 Years of Innovation*

# NX - The All-in-One Controller

## Various Screen and Keypad Options



**128 x 64  
Monochrome  
graphics**



**240 x 128  
Monochrome  
graphics**



**Customisable  
keypad**

### Example Models

The Example Part numbers below indicate just two of our models.

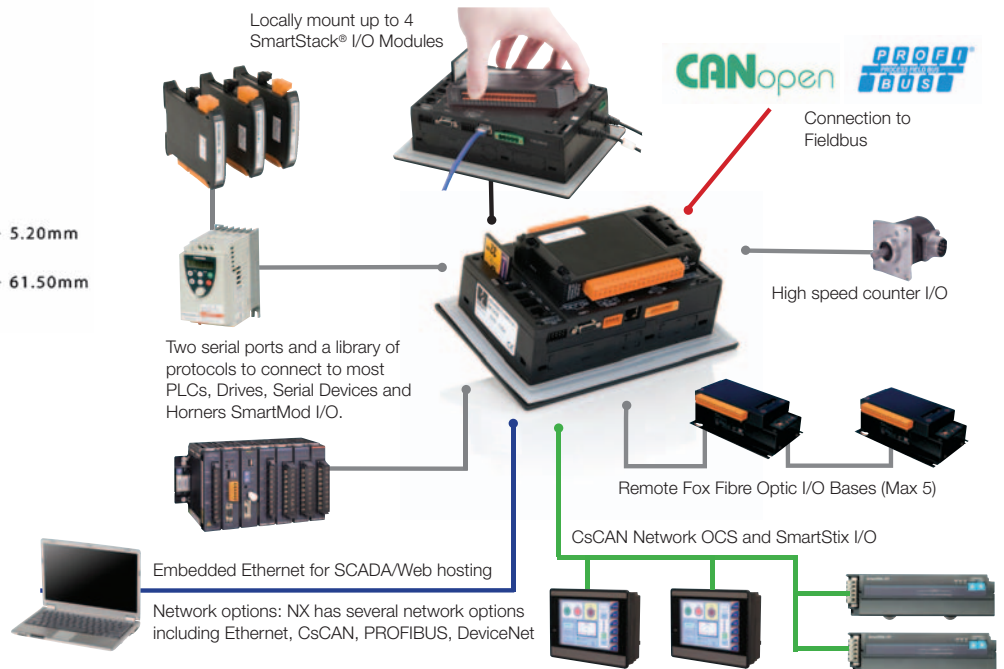
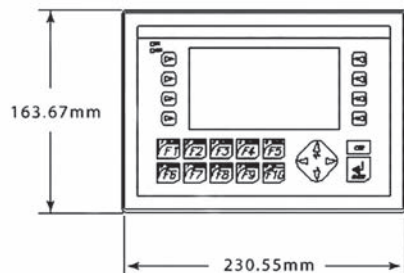
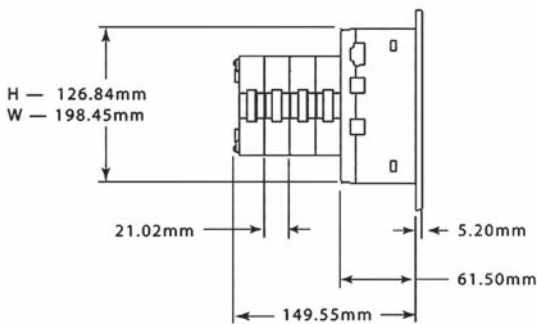
To design a Model Number to suit your needs please check out [www.horner-apg.com/nxselect](http://www.horner-apg.com/nxselect) and use our selector tool to determine your model number and full specification.

HENX220C003-01

128x64 monochrome LCD unit with bi-colour backlight. Up to 1024 graphics pages with up to 50 items per page. Supports 5 IEC61131-3 languages, 2\* RS232/RS485 ports for connecting to a drive or PLC. Battery backed RAM and real time clock, SmartStack®, CompactFlash®, USB slave, fibre optic I/O expansion capability.

HENX251C003-01

As Above but a 240x128 monochrome LCD unit and with Embedded Ethernet.



We are continually developing new features for the NX range, please check out the new features by visiting [www.horner-apg.com/nxselect](http://www.horner-apg.com/nxselect)



OCS combines Control, Operator Interface, I/O and Network - All in One

### Horner APG

Centrepoint, Centre Park Road,  
Cork, Ireland

Tel: +353 21 4321-266

Fax: +353 21 4321-826

[www.horner-apg.com](http://www.horner-apg.com)

Email: [sales@horner-apg.com](mailto:sales@horner-apg.com)

**HORNER**  
APG  
25 Years of Innovation